



Lawn Tractor Plow w / Handle by **Nordic Plow**



LAWN TRACTOR ATTACHMENT



ASSEMBLY TIPS



.....

ENGLISH..... 3

FRANCAIS..... 9

ITALINO..... 10

NEDERLANDS..... 11

ESPANOL.....12

PORTUGUES.....13

XXXXXX..... 14

DANSK.....15

NORSK.....16

SVENSKA.....17

POLSKI.....19

CESTINA.....20

MAGYAR.....21

XXXXXX.....22

XXXXXXXX.....23

One Year Limited Warranty

ATV, Z Turn, Lawn Tractor, UTV & Turf Plows

For twelve months from date of purchase, Nordic Auto Plow LLC warrants against the defects due to workmanship or materials to the original purchaser. If a defect does exist, it will be obvious to the eye before assembly and we will promptly replace any defective part.

The plastic components of the plow are designed to break under extreme stress in order to minimize damage to the vehicle and is not considered a defect. To minimize this breakage, we stress the user to read the tip sheets offered and review the videos available at www.nordicplow.com. Any used and/or broken components can be replaced at a nominal charge by calling 888-662-PLOW (7569) or by visiting our website.

Once a plow is used, it cannot be resold, and thus will not be accepted as a return. A restocking fee equal to 20% of the purchase price plus applicable freight charges will be assessed for any returned unopened and unused.

Nordic Auto Plow LLC obligations under this warranty are limited to the following guidelines:

This warranty does not cover units that have been altered / modified or damaged due to: normal wear, improper maintenance, and/or improper use.

This warranty does not cover any damage that may occur to any vehicle to which the product is mounted or comes in contact with.

This warranty does not cover surface scratches to the plow, which is considered normal wear.

This warranty is not transferable or assignable to subsequent purchasers.

This warranty does not cover liability for damage to property, or injury to, or death of any person arising out of the operation, maintenance or use of the covered product.

EXCEPT AS STATE ABOVE, NORDIC AUTO PLOW LLC MAKES NO OTHER EXPRESS OR IMPLIED WARRANTIES. THE IMPLIED WARRANTIES OF MERCHANTABILITY AND FITNESS FOR A PARTICULAR PURPOSE ARE LIMITED IN DURATION FOR TWELVE MONTHS FROM THE DATE OF PURCHASE. SOME STATES DO NOT ALLOW LIMITATIONS ON HOW LONG AN IMPLIED WARRANTY LAST, SO THE ABOVE LIMITATION MAY NOT APPLY TO YOU.

ANY LIABILITY FOR INDIRECT OR CONSEQUENTIAL DAMAGE ARISING FROM THE FAILURE OF NORDIC AUTO PLOW LLC TO COMPLY WITH THIS WARRANTY OR ANY IMPLIED WARRANTY IS EXCLUDED. CUSTOMER ACKNOWLEDGES THAT THE PURCHASE PRICE CHARGED IS BASED UPON THE LIMITATIONS CONTAINED IN THE WARRANTY SET OUT ABOVE. SOME STATES DO NOT ALLOW THE EXCLUSION OR LIMITATION OF INCIDENTAL OR CONSEQUENTIAL DAMAGES, SO THE ABOVE LIMITATION OR EXCLUSION MAY NOT APPLY TO YOU. THIS WARRANTY GIVES YOU SPECIFIC LEGAL RIGHTS AND YOU MAY ALSO HAVE OTHER RIGHTS WHICH VARY FROM STATE TO STATE.

ENGLISH

Safety:

- Read and understand the plow instructions, Warranty & FAQ and Tips before use.
- Scan the QRC instructional videos or watch the videos on our website before use. (www.nordicplow.com)
- Always instruct other users before they use the plow.

Operation:

Risk of Injury

- **DO NOT RAM** the plow. Our blade is plastic and will not handle the stress.
- Never allow anyone to walk beside or sit on the plow when in use.
- **Never operate the plow over 2 to 3 mph. Keep a slow steady speed.**
- If you hit a solid obstruction, stop the vehicle immediately and reverse direction.

Instruction Clarification:

STEP 1: Make sure the extended tabs of the blades are all in the same direction as shown.

STEP 5& 6: The tall end of the blade channels should be facing each other in the middle of the blade.

STEP 7: Part #30 nylon washer goes between the pivot bracket and the plates as shown. Tighten the lock nuts (Part #41) fully, then back off half a turn for easy movement.

STEP 8: Secure the T Pivot plate #3 to the top of the blade channel and the B Pivot plate #4 to the top of the bottom blade channel as shown.

STEP 9 & 10: The side universal mounting plate (Part #8) has 4 sides with various combinations of holes to line up with those already on the mower. Attach nuts and bolts.

STEP 13: A right-sided mount of the handle is shown. Place bracket (Part #46) on the other side if a left-handed handle is preferred. Insert bolts (Part #53) into the 1st and 5th hole from the top leaving the bottom three holes open for the axle.

STEP 14: Slide the axle (Part# 11) through the 2nd hole from the bottom on the handle side. Be sure to include the thick spacer (Part #42) between the handle bracket (Part #46) and the boot (Part #9). Place the two nylon spacers (Part #30) on the axle at the opposite side between the pivot bracket and the boot as shown.

STEP 15: Note that the handle has several holes to use that allows for adjustable lengths.

FAQ's

Can I use it on uneven surfaces or grass?

Yes – our rounded edge blade can be used on paver bricks, sidewalks, grass, gravel and most uneven surfaces without causing damage to the blade or the surface being plowed.

Will the plow leave marks on the pavement?

No - the Nordic Plow is made of a composite material that will not leave marks on your driveway, unlike traditional steel plows that can leave rust and scratches on the pavement.

Trouble Shooting & Tips

Mower Hood Won't Lift:

If you cannot lift the mower hood after attaching the mower arms, simply reposition the mower arms to a lower position.

Blade Not Flush to Ground:

In the angled position, the blade will not be flush to the ground if the top pivot and bottom pivot plate are reversed. See Step 8.

Blade Flips Forward When Plowing:

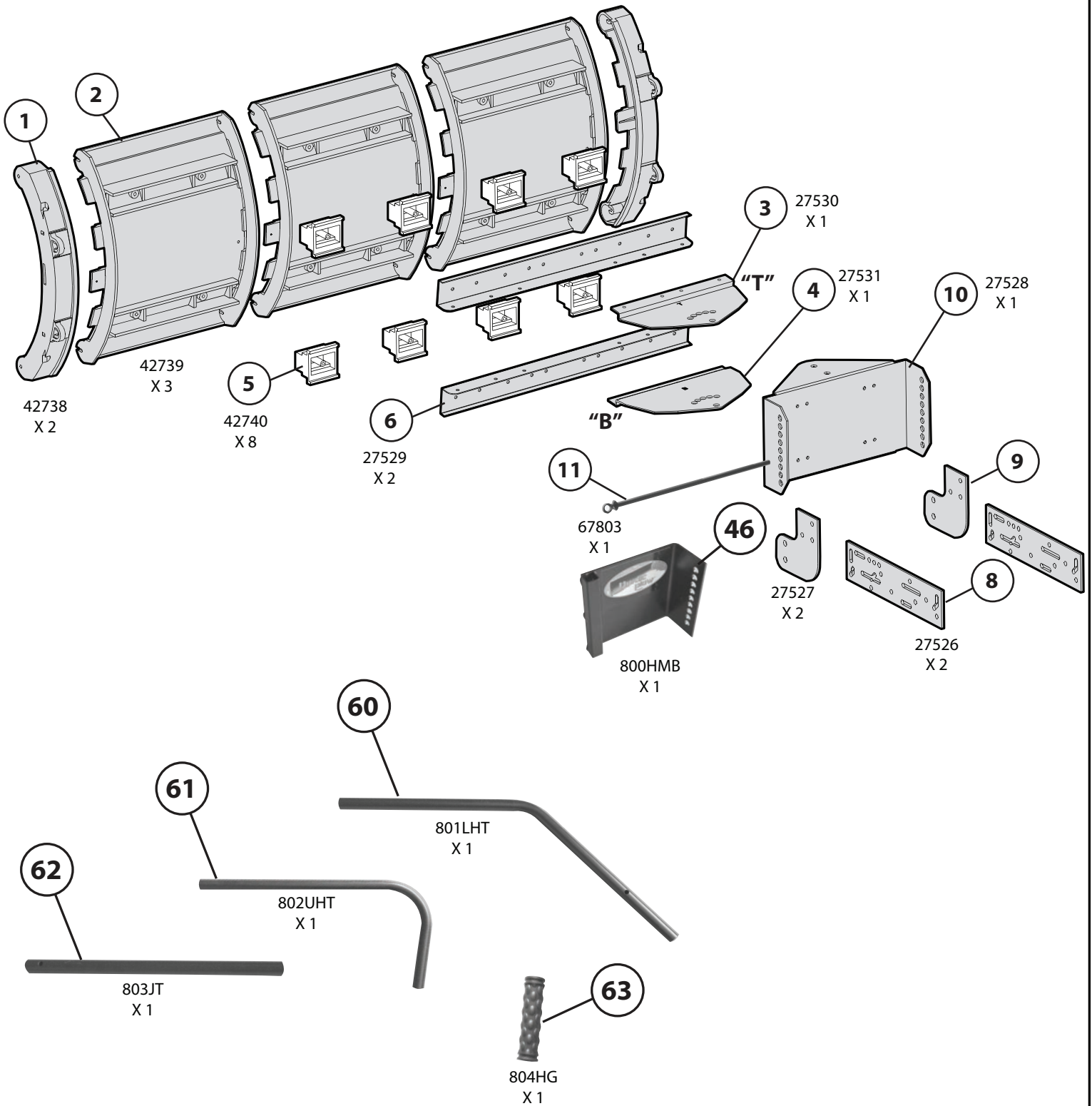
Use the lower axle hole and/or lower the boots so that the axle is 7" (178mm) from the ground. Be sure the blade is angled like the picture at Step 15.

Blade is too heavy to lift with the strap:

After you have pushed the snow or material, reverse the machine to clear the blade of the material before lifting the blade with the strap.

OPTIONAL ACCESSORIES

We offer a **squeegee rubber edge** that works great for water or leaves. We also offer extended **side fins** for straight pushing of leaves or water - go to www.nordicplow.com for more information.



1/4"

1" 25 43661 X 8

12 H-11201 X 2

51 P-31103 X 2

47

2" 42744 X 12

3" 18 43088 X 12

19 46978 X 20

52 47189 X 4

4" 5" 6"

3/8"

1" 14 43001 X 10

20 43070 X 10

21 44072 X 10

1/2"

1" 53 H-46521 X 2

31 43020 X 2

2" 30 17W13751 X 4

40 1540-59 (X 2)

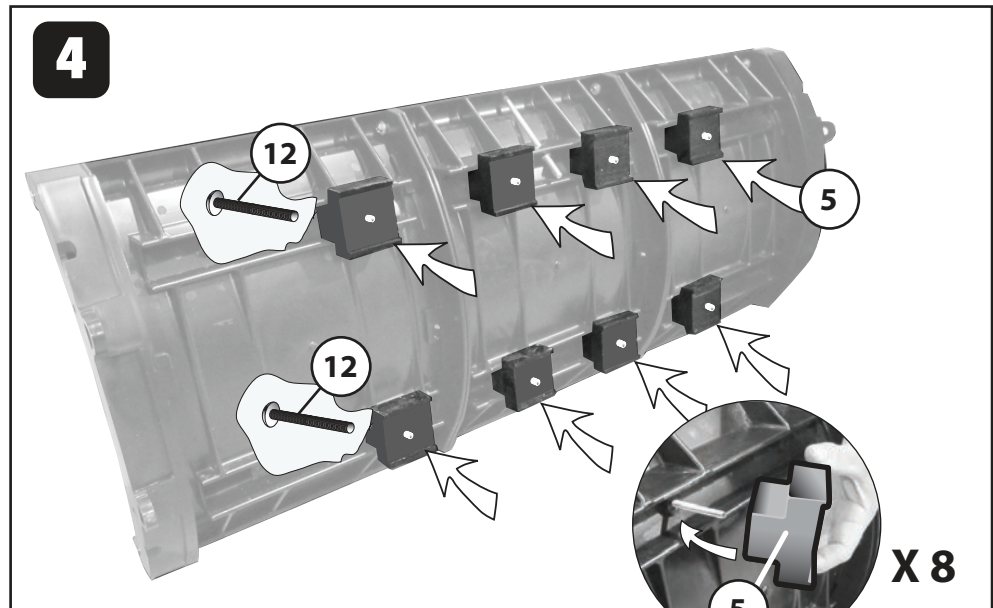
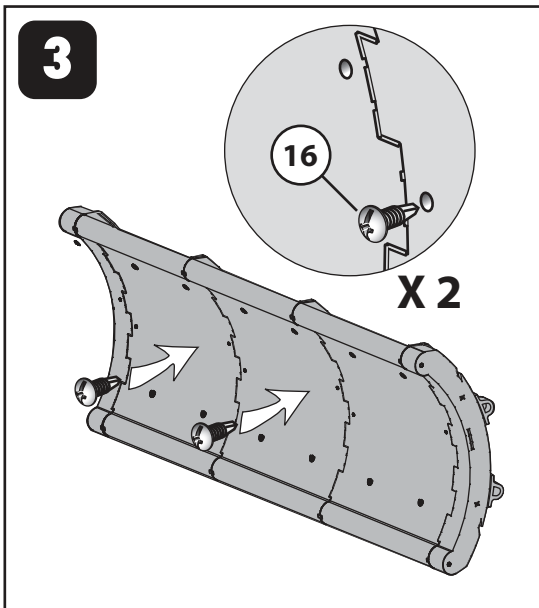
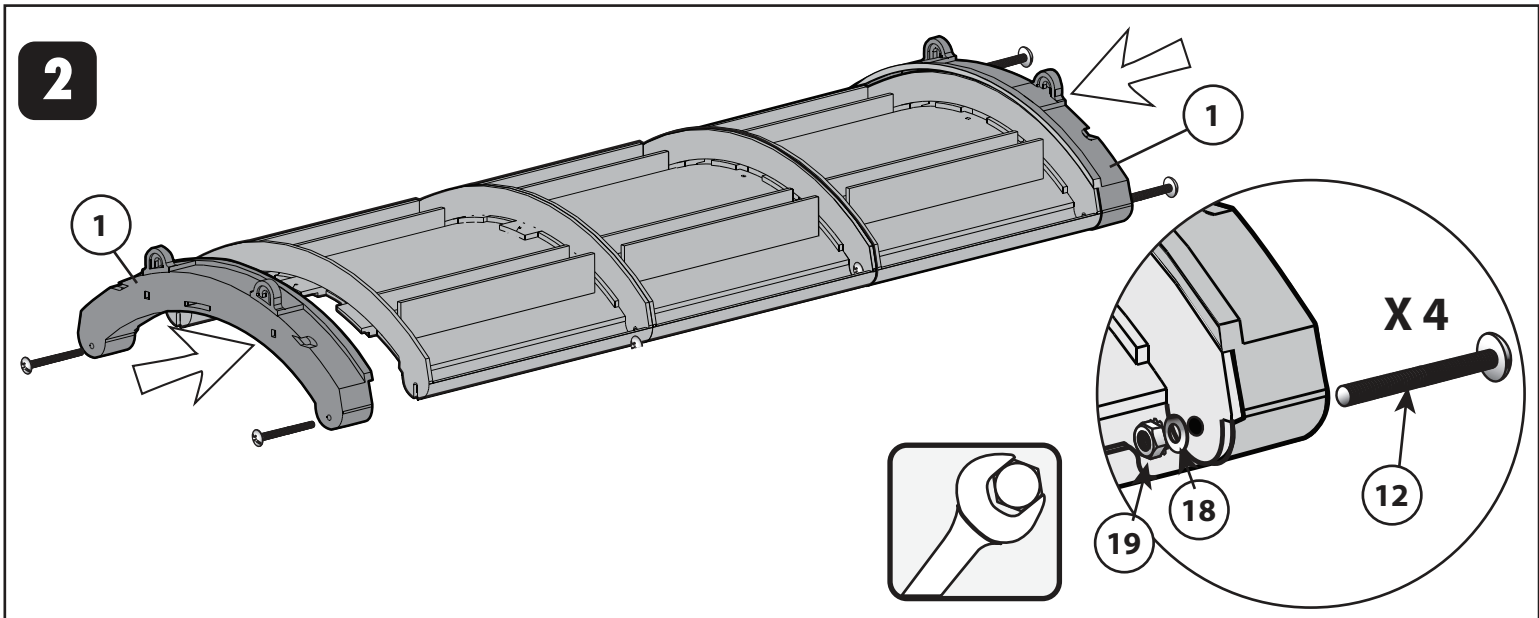
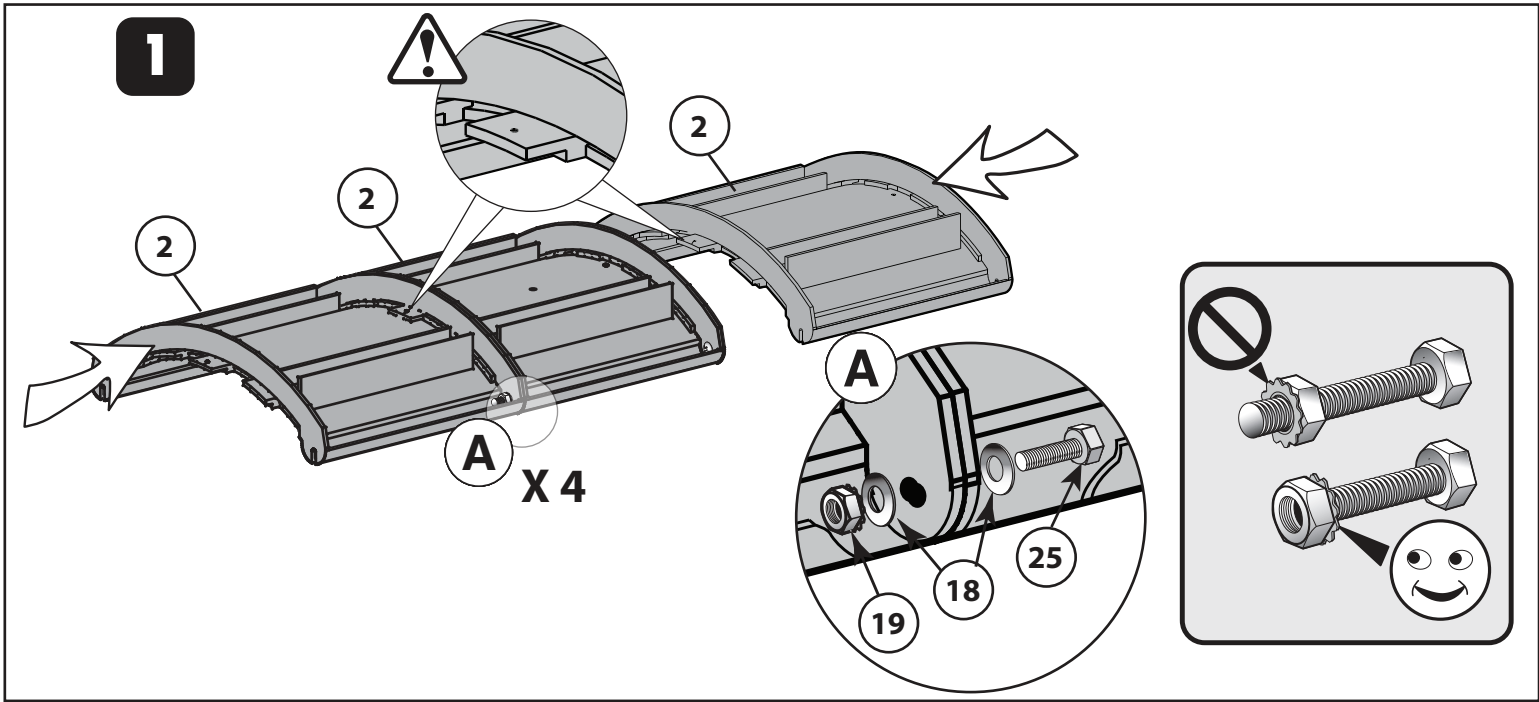
3" 42 13RS14650 X 1

41 712-3083 (X 4)

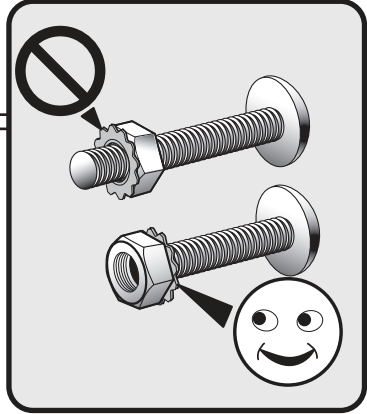
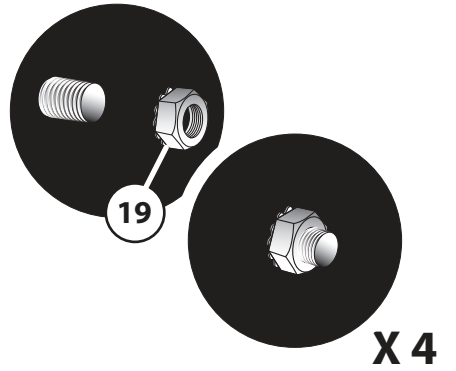
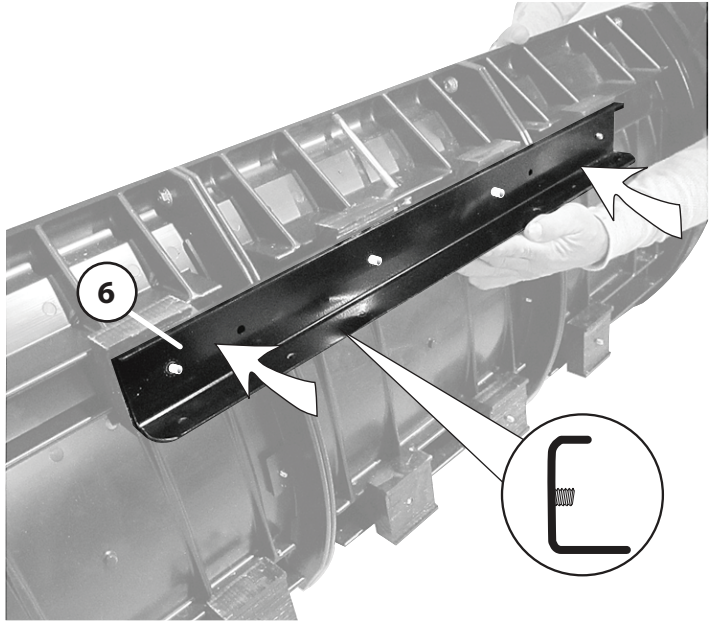
16 42763 X 2

17 42742 X 2

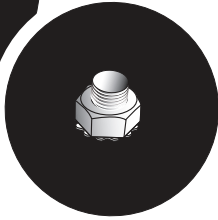
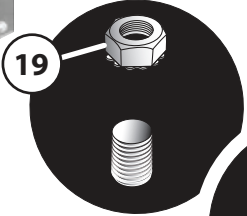
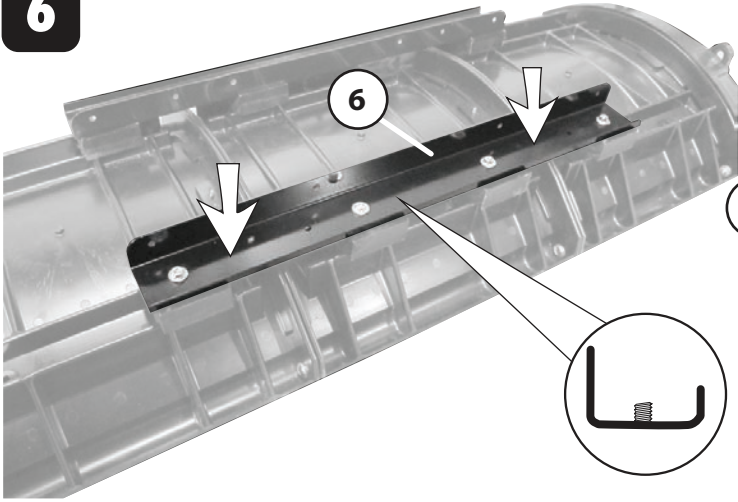
24 43343 X 1



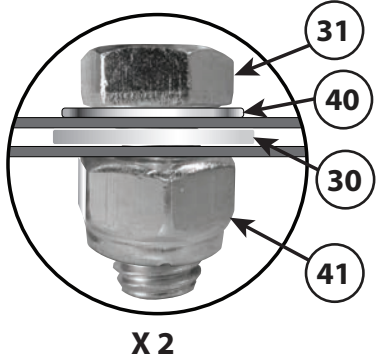
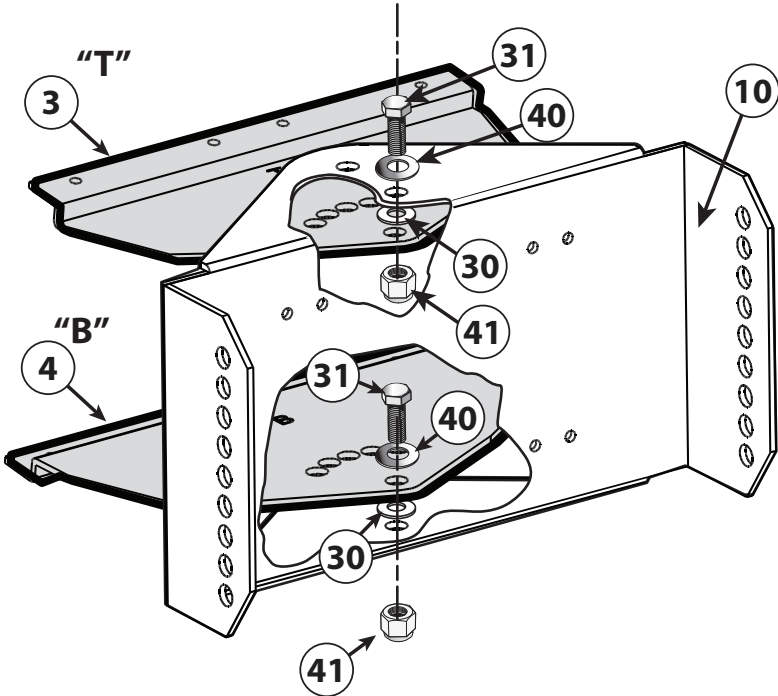
5



6

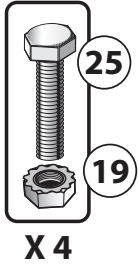
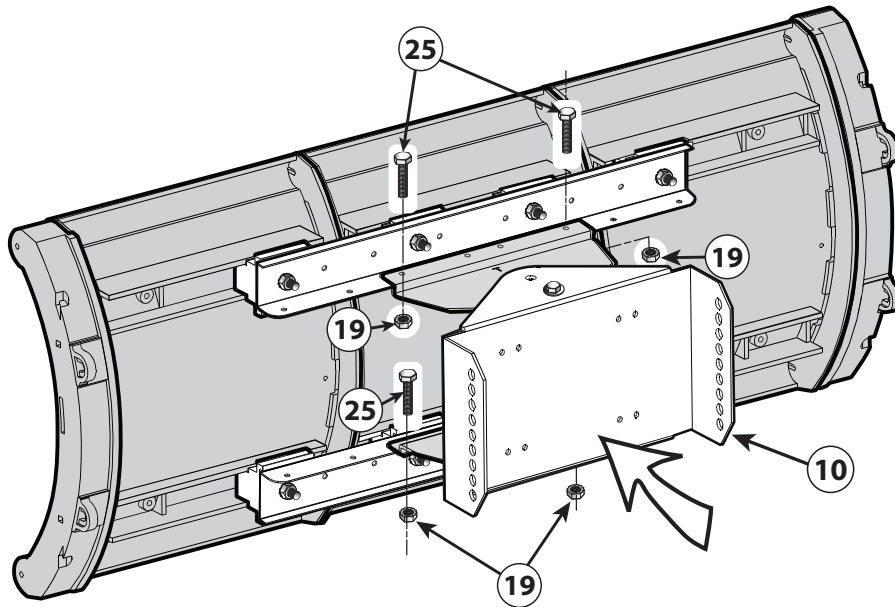


7

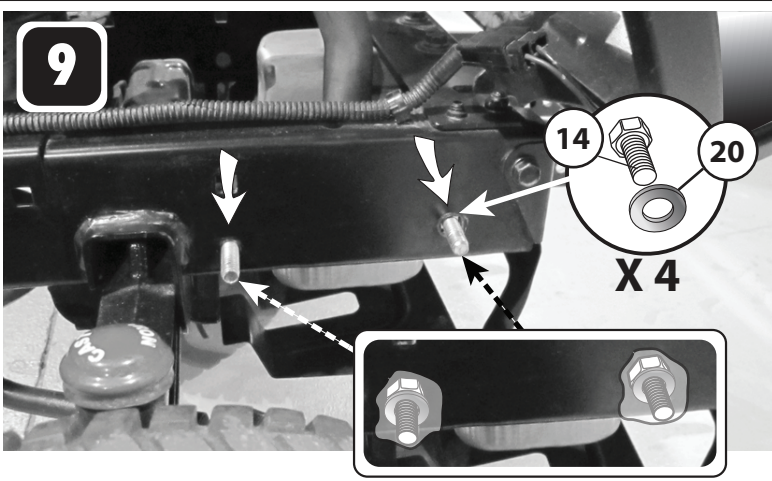


7

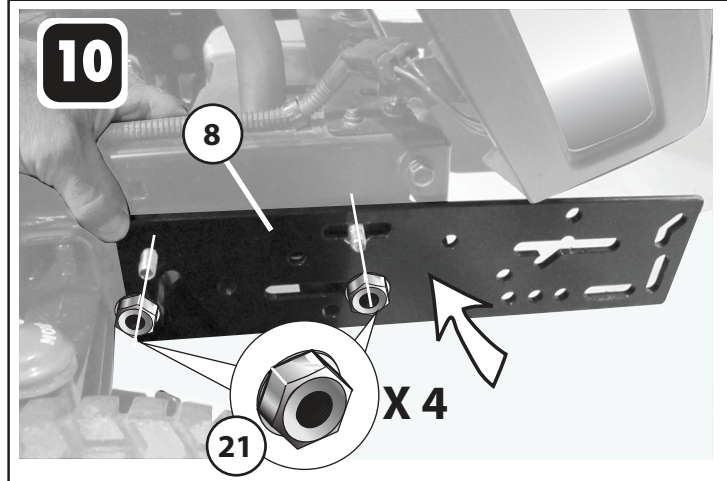
8



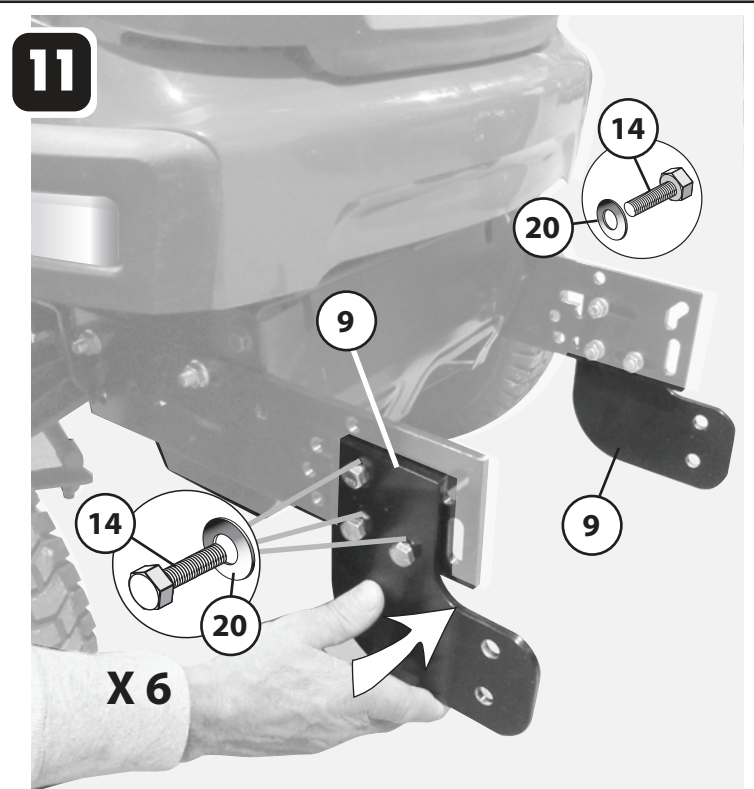
9



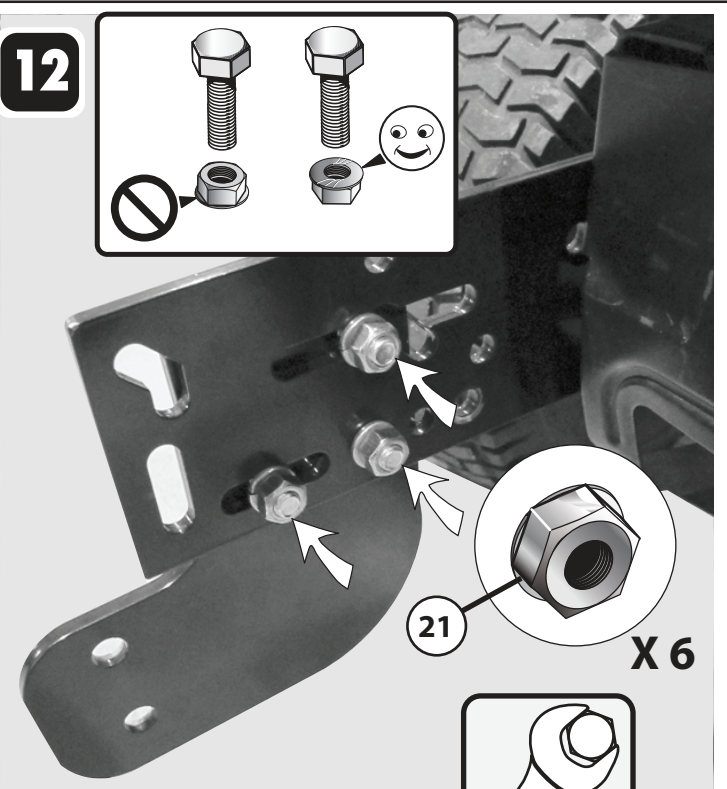
10



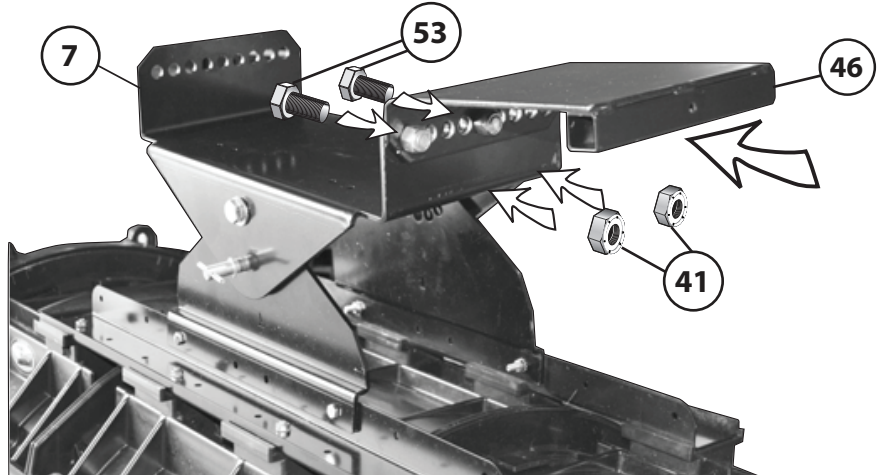
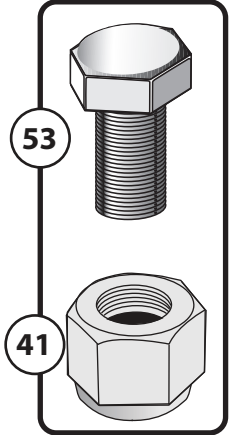
11



12



13



14

